



November 2024 COF

PractiScore Template: Here is the link for the PractiScore template for this month's COF. This template has all the stages already built for you, if you don't want to create them yourself. [PractiScore Template](#)

DFAT Range Card: The DST Precision DFAT allows you to use the rifle and optic to dryfire practice in a very small area such as your garage, living room, or even bedroom. With this adapter most scopes focus in the 11-15 feet range. You can find this month's COF range card here. [DFAT Range Practice Range Card](#)

COF Designer: This COF was designed by Matthew Watson out of East Liverpool, Ohio. Matthew is the Match Director for Ohio Valley Rimfire Association out of Lisbon, Ohio. Matthew recently hosted the Squatch X-ing NRL22X match. This COF is pretty fun and challenging. Thank you, Matthew on this COF.

If you have questions about the COF please email us at info@NRL22.com

Starting Position: Unless otherwise stated, starting positions are always standing, rifle at the high ready and all gear in hand, mag in, action open. The high ready position means that the rifle is held by the competitor with the muzzle pointing approximately 45 degrees skyward and towards the downrange targets. If your range has stricter rules on starting positions, make sure to follow your range's rules and regulations.

Range requirements: This month's COF will require a 55-gal barrel, chair, rooftop, 3 cinder blocks, pyramid, ladder, a shot timer or stopwatch that can time down to a hundredths of a second, and the NRL22 standard target package. Left over targets: 1x 1.5", 1x 2", 4", 5", and 6"

Scoring submissions: In accordance with the 2025 NRL22 rules, Match Directors are required to submit scores within 7 days of their match concluding. You can submit your NRL22 (5 stages only) scores through the NRL22 website using the PractiScore URL located [HERE](#). If you don't have that ability, then download the NRL22 Scoresheet Submission Spreadsheet from the MD Resources section found [HERE](#). Submit your spreadsheet through the NRL22 website along with the match admin fee which can be found [HERE](#). Keep in mind that only NRL22 members are eligible for prizes and while we have a 7-day grace period for membership, if the prizes are already distributed, it is the competitor's loss.

Live Stream: The live show for prizes will happen on **December 15, 2024**. The show will be streamed through Facebook Live. If you have questions, ask them during the live show and we will answer them for you.

Terms of Use

The use of this course of fire is restricted to personal/individual use; however, the use of this course of fire in a match setting must be operated within the NRL22 rules and is restricted to current NRL22 clubs. The monthly course of fire is a proprietary product of the NRL22. Furthermore, the scores of every competitor at that match must be submitted to the NRL22 regardless of the competitor's membership status. Every competitor is given a 7-day grace period to become a member and claim their score.



November 2024 COF

Here is the running list of approved out-of-production rifles that will remain in base division. These rifles must be in their original factory configuration to be eligible for base division. The only modifications to those rifles are the ones listed in the NRL22 Rules Section 5. B. 3. The burden of providing solid evidence for inclusion into base division rests squarely on the shooter, and the MD makes the final call on which division the shooter's rifle gets classified in. If there are out-of-production rifles that are not on this list, please email us at info@nrl22.com with the manufacturer, model number, and MSRP (not MAP) with a website where it was to be considered for inclusion.

- CZ 452 (all models)
- CZ 455 (all models)
- Savage (all models, except Savage Anschutz)
- Ruger (all models)
- Marlin/Glenfield
 - Levermatic
 - Model(s) 780, 880, 980
 - XT-22
- Mossberg (all models)
- Winchester
 - Model 69 & variants
 - Model 131 & 141 (including SR variants)
- Coeey
 - 64 (predecessor to Savage 64)
- Example #1: The CZ 452 American had an MSRP of \$409.00 in 2007. Inflation adjustment puts that MSRP at \$631.10 in 2024. This is clearly in line with many other "base division" rifles including several versions of the CZ 457.
- Example #2: The CZ 455 Varmint Precision Trainer had an MSRP of \$967 in 2018. Inflation adjustment puts that MSRP at \$1,218.50 in 2024. Unless the competitor is electing to shoot with iron sights, it would be practically impossible for this model to stay under the applicable \$\$\$ threshold.
- Example #3. The Winchester Model 52 Sporter had an MSRP of just \$88.50 in 1934. However, 90 years of compound inflation really adds up. Inflation adjustment puts that MSRP at \$2,094.04 in 2024. The Model 52 will be a ton of fun to shoot, ...in Open division.

Inflation/compound interest calculator can be found [here](#)

Terms of Use

The use of this course of fire is restricted to personal/individual use; however, the use of this course of fire in a match setting must be operated within the NRL22 rules and is restricted to current NRL22 clubs. The monthly course of fire is a proprietary product of the NRL22. Furthermore, the scores of every competitor at that match must be submitted to the NRL22 regardless of the competitor's membership status. Every competitor is given a 7-day grace period to become a member and claim their score.

1. I Keep My Feathers Numbered

Time: 120 Sec

Round Count: 12

Ranges and Targets:

Option 1 – 45 yds: ¼" & ½" on KYL
 55 yds: ¾" & 1" on KYL
 65 yds: 2" on a single hanger
 95 yds: 3" on a single hanger

Target Size(s)	
MOA	MILS
0.5, 1.1	0.2, 0.3
1.3, 1.7	0.4, 0.5
2.9	0.9
3	0.9

Restrictions: None

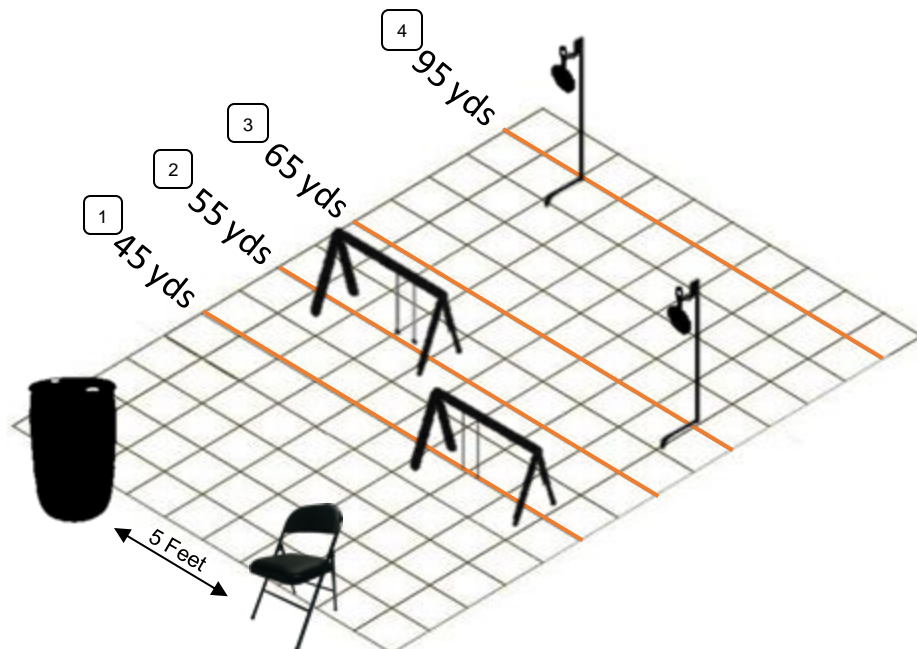
Points: 10 points per impact, 120 points possible

Start Position: Standing, rifle at the high ready and all gear in hand, mag in, action open

Description: On the start signal, engage the targets with 1 shot each in the following manner and order:

- 55-gal Barrel: Targets 4, 3, 4
- Chair seat: Targets 3, 4, 3
- 55-gal Barrel: Target 2 – Large, Small, Large
- Chair Seat: Target 1 – Small, Large, Small

Adaptive Recommendation: Same target engagement. The chair seat may be replaced with a bench or 55-gal barrel.



Terms of Use

The use of this course of fire is restricted to personal/individual use; however, the use of this course of fire in a match setting must be operated within the NRL22 rules and is restricted to current NRL22 clubs. The monthly course of fire is a proprietary product of the NRL22. Furthermore, the scores of every competitor at that match must be submitted to the NRL22 regardless of the competitor's membership status. Every competitor is given a 7-day grace period to become a member and claim their score.

2. Shoot N' Toot N' Turkey Trottin'

Time: 120 Sec

Round Count: 10

Ranges and Targets:

Option 1 – 56 yds: 1" & 1.5" on a double hanger
 56 yds: 1" & 1.5" on a double hanger
 86 yds: 2.5" on a double hanger

Target Size(s)	
MOA	MILS
1.7, 2.6	0.5, 0.7
1.7, 2.6	0.5, 0.7
2.8	0.8

Restrictions: None

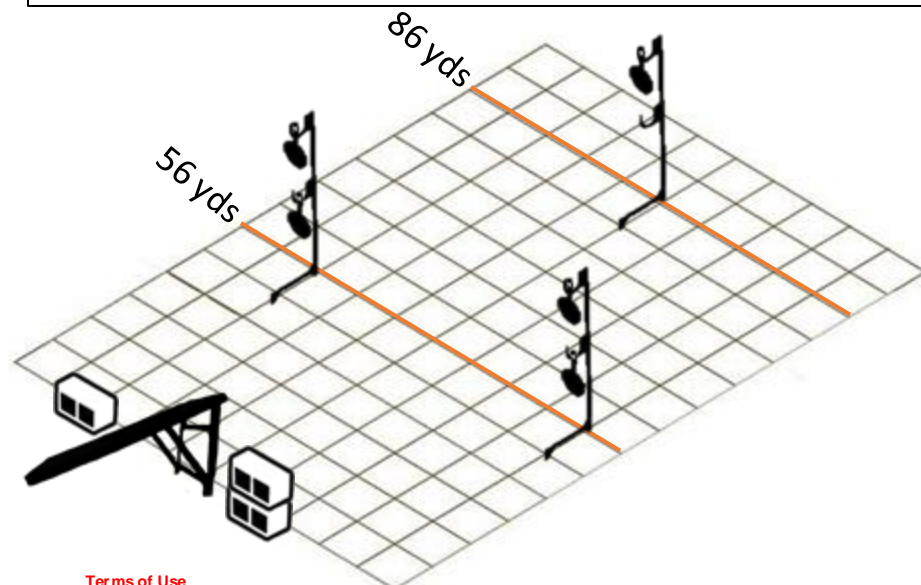
Points: 10 points per impact, 100 points possible

Start Position: Standing, rifle at the high ready and all gear in hand, mag in, action open

Description: On the start signal, engage the targets with 1 shot each in the following order and manner:

- Left Cinder Block: Left Large, Right Large
- Rooftop: Left Large, Middle (Far), Right Large
- Right Cinder Blocks: Right Small, Left Small
- Rooftop: Right Small, Middle (Far), Left Small

Adaptive Recommendation: Same target engagement. Place 1 cinder block on an elevated position and alternate from the cinder block to the rooftop as directed.



Terms of Use

3. Pop Up Turkey Timer

Time: 120 Sec

Round Count: 10

Ranges and Targets:

Option 1 – 78 yds: 3" on a double hanger

Target Size(s)	
MOA	MILS
3.7	1.1

Restrictions: None

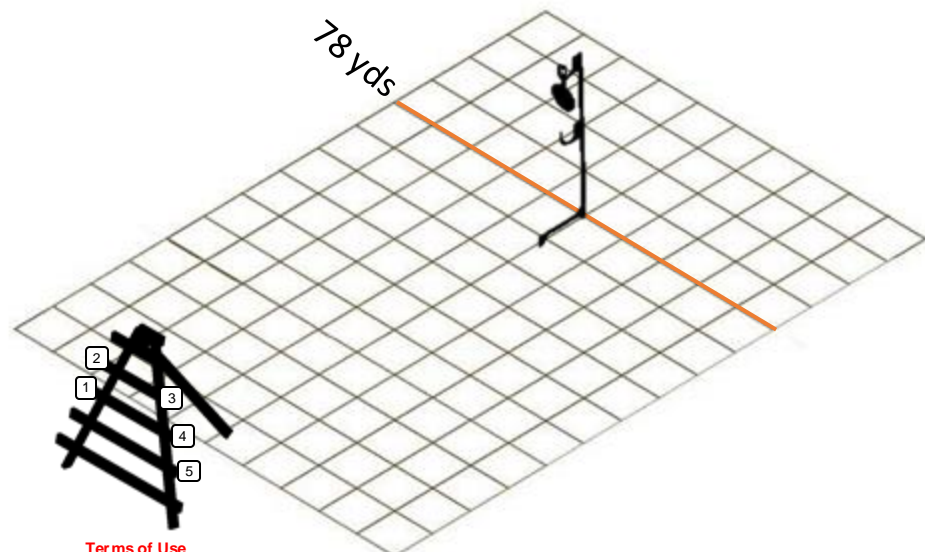
Points: 10 pts per impact plus 0.1 bonus points per second remaining. **For the PractiScore NRL22 template, enter the total time elapsed in seconds.**

Start Position: Standing, rifle at the high ready and all gear in hand, mag in, action open

Description: On the start signal, engage the target with 2 shots from the 5 marked positions.

Note: If you can't reach the 4th rung, then all positions will drop down 1 rung i.e. position 1 would be on the 2nd last rung and position 5 would be on the last rung.

Adaptive Recommendation: Same target engagement. Alternate between the 2 highest positions you can safely engage the target from.



Terms of Use

The use of this course of fire is restricted to personal/individual use; however, the use of this course of fire in a match setting must be operated within the NRL22 rules and is restricted to current NRL22 clubs. The monthly course of fire is a proprietary product of the NRL22. Furthermore, the scores of every competitor at that match must be submitted to the NRL22 regardless of the competitor's membership status. Every competitor is given a 7-day grace period to become a member and claim their score.

4. Never Trust A COF w/o a Tank Trap

Time: 120 Sec

Round Count: 10

Ranges and Targets:

Option 1 – 75 yds: 2" & 2.5" on a double hanger

Target Size(s)	
MOA	MILS
2.5, 3.2	0.7, 0.9

Restrictions: None

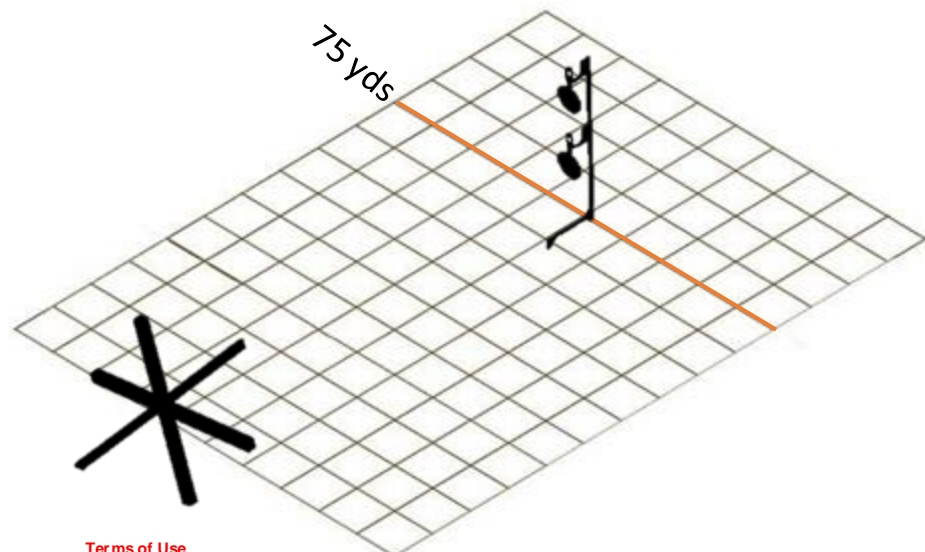
Points: 10 points per impact, 100 points possible

Start Position: Standing, rifle at the high ready and all gear in hand, mag in, action open

Description: On the start signal, engage the targets in the following order and manner:

- Left Tip: Large x 2
- Right Tip: Small x 2
- Middle Tip: Large then Small
- Center: Small then large
- Prone (Under the tank trap): Large then small

Adaptive Recommendation: Same target engagement. Use only the 3 tips. Center will be engaged from the left tip and prone will be engaged from the right tip.



Terms of Use

The use of this course of fire is restricted to personal/individual use; however, the use of this course of fire in a match setting must be operated within the NRL22 rules and is restricted to current NRL22 clubs. The monthly course of fire is a proprietary product of the NRL22. Furthermore, the scores of every competitor at that match must be submitted to the NRL22 regardless of the competitor's membership status. Every competitor is given a 7-day grace period to become a member and claim their score.

5. It's All Gravy

Time: 120 Sec

Round Count: 12

Ranges and Targets:

Option 1 – 84 yds: 2.5" on a single hanger
 100 yds: 3" on a single hanger

Target Size(s)	
MOA	MILS
2.8	0.8
2.9	0.8

Restrictions: None

Points: 10 points per impact, 120 points possible

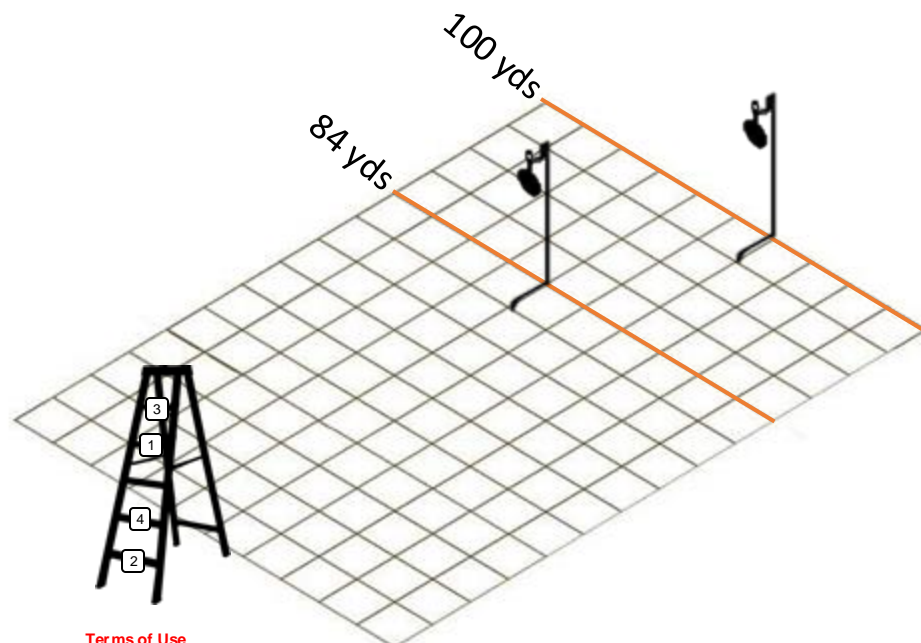
Start Position: Standing, rifle at the high ready and all gear in hand, mag in, action open

Adaptive Recommendation: Same target engagement. Alternate between the 2 highest rungs you can safely reach.

Description: On the start signal, engage the target in the following order and manner:

- Position 1 (4th rung): Near x 2, Far x 1
- Position 2 (1st rung): Far x 1, Near x 2
- Position 3 (5th rung): Near x 2, Far x 1
- Position 4 (2nd rung): Far x 1, Near x 2

Note: If you are unable to reach the 5th rung, then position 1 and position 3 will drop down 1 rung each i.e. position 1 will be on the 3rd rung and position 3 will be on the 4th rung.



Terms of Use

The use of this course of fire is restricted to personal/individual use; however, the use of this course of fire in a match setting must be operated within the NRL22 rules and is restricted to current NRL22 clubs. The monthly course of fire is a proprietary product of the NRL22. Furthermore, the scores of every competitor at that match must be submitted to the NRL22 regardless of the competitor's membership status. Every competitor is given a 7-day grace period to become a member and claim their score.

6. Seesaw The Sawhorse

Time: 120 Sec

Round Count: 10

Option 1 – 82 yds: 2.5" & 3" on a double hanger

Ranges and Targets:

Restrictions: None

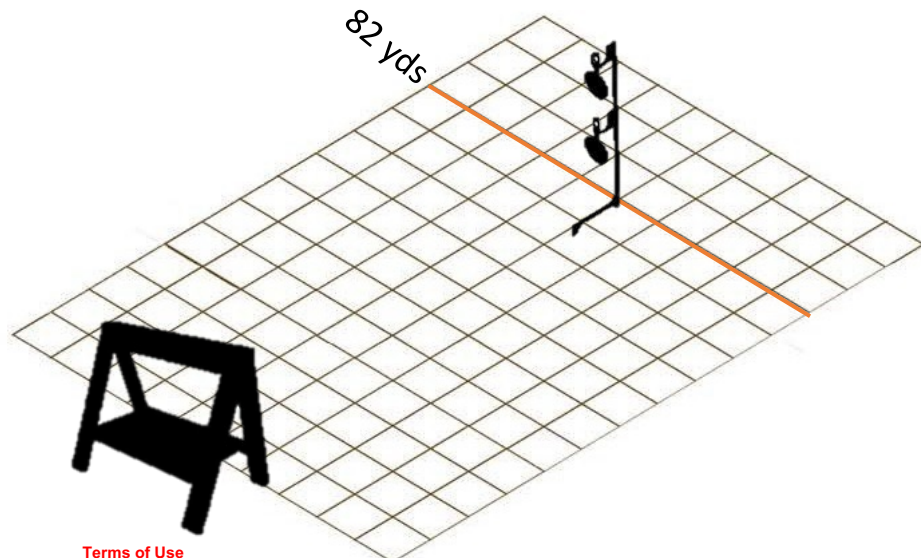
Points: 10 points per impact, 100 points possible

Start Position: Standing, rifle and all gear in hand, mag in, action open

Description: On start signal, you will engage each target with 1 shot from large to small in the following order:

- Prone left side of sawhorse
- Top of sawhorse
- Prone right of sawhorse
- Top of sawhorse
- Prone left of sawhorse

Adaptive Recommendation: Same starting position and target engagement. You will shoot support side on the sawhorse instead of prone, i.e., Strong side on the sawhorse, support side on the sawhorse, etc. A stool may be use to sit on.



Terms of Use



7. 50 yard KYL

Time: 120 Sec

Round Count: 10

Ranges and Targets:

Option 1 – 50 yds:

2", 1-3/4", 1-1/2", 1-1/4", 1", 3/4", 1/2", 1/4" on a KYL

Restrictions: None

Points: 10 points per impact, 100 points possible

Start Position: Standing, rifle and all gear in hand, mag in, action open

Adaptive Recommendation: Start in position with magazine out and off glass.

Description: On the start signal, take a prone position and engage the KYL target with 1 shot from large to small.

Hit to advance. Continue shooting the smallest target for a total of 10 rounds.

